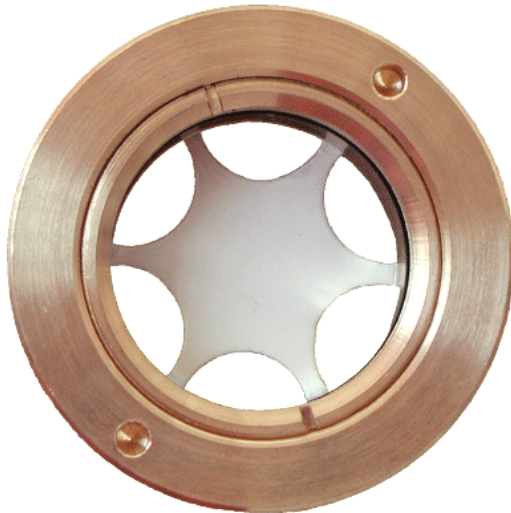




**Factory for oil sight glass fittings
from
Brass – Aluminium – Stainless steel**



MECANOSOL, S.L.

**Pol. Ind. La Pañoleta
c./ Julio de Torres, 14
29700 Vélez-Málaga**

SPAIN

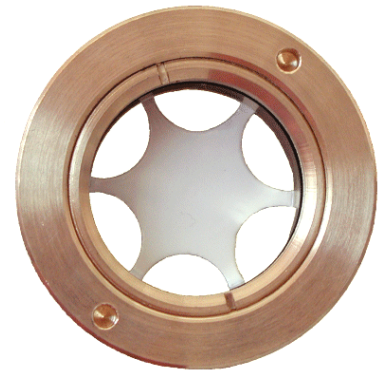
www.mecanosol.com

info@mecanosol.com

Tel.: +34 95 254 92 53

Fax: +34 95 250 76 09

Group A
Brass oil sight glass
Screwed in position from the front



Model: 3505....

With fixed **brass** reflector white painted* or not painted (colorless), operating pressure 4 bar, **float glass**, heat resistant up to 120°C, in accordance with DIN 31691

Model: 3515....

see **3505**, however without reflector

Model: 3605....

With fixed **brass** reflector white painted* or not painted (colorless), operating pressure 3 bar (oilproof), **glass from Borofloat 33** (formerly Tempax), heat resistant up to 300°C

Model: 3615....

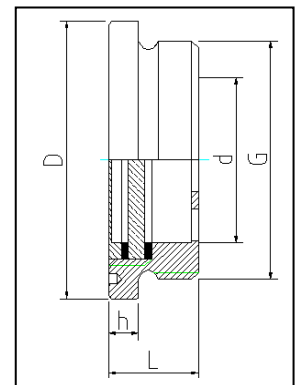
see **3605**, however without reflector

Composition N° Model: Model + Thread-Size

Example: 3505...+...1615 = 35051615 – Brass, M 16x1,5, Float glass to 120°C, with fixed reflector white painted*
 or 3615...+...0100 = 36150100 – Brass, G 1", Tempax to 280°C, without reflector

Metrical ISO-Thread DIN 13 (from M 16x1,5 to M 27x1,5)							
Thread (G)	M 16x1,5	M 18x1,5	M 20x1,5	M 22x1,5	M 24x1,5	M 26x1,5	M 27x1,5
N° article (part 2) (Thread-Size)	...1615	...1815	...2015	...2215	...2415	...2615	...2715
Whitworth Thread (BSP) DIN ISO 228 (DIN 259) (from G 3/8" to G 3/4")							
Thread (G)	G 3/8"		G 1/2"				G 3/4"
N° article (part 2) (Thread-Size)	...0038		...0012				...0034
Dimension							
Ø - Outside (D)	22 mm	22 mm	26 mm	26 mm	30 mm	32 mm	32 mm
Ø - Inside (d)	9 mm	9 mm	12 mm	12 mm	15 mm	17 mm	17 mm
Length (L)	12 mm	12 mm	12 mm	12 mm	12 mm	12 mm	12 mm
Collar height (h)	4 mm	4 mm	4 mm	4 mm	4 mm	4 mm	4 mm

Metrical ISO-Thread DIN 13 (from M 30x1,5 to M 60x2,0)							
Thread (G)	M 30x1,5	M 33x1,5	M 35x1,5	M 36x1,5	M 42x1,5	M 48x1,5	M 60x2,0
N° article (part 2) (Thread-Size)	...3015	...3305	...3515	...3615	...4215	...4815	...6020
Whitworth Thread (BSP) DIN ISO 228 (DIN 259) (from G 1" to G 2")							
Thread (G)		G 1"			G 1 1/4"	G 1 1/2"	G 2"
N° article (part 2) (Thread-Size)		...0100			...0114	...0112	...0200
Dimension							
Ø - Outside (D)	36 mm	38 mm	42 mm	42 mm	48 mm	55 mm	70 mm
Ø - Inside (d)	20 mm	22 mm	25 mm	25 mm	28 mm	33 mm	43 mm
Length (L)	13 mm	13,5 mm	13,5 mm	13,5 mm	14,5 mm	16 mm	16,5 mm
Collar height (h)	4,5 mm	4,5 mm	4,5 mm	4,5 mm	4,5 mm	5 mm	5 mm



Other thread size, special seals (e.g. Viton) and special glasses, with reflector not painted or types with width across flat on request.

- **Reflector white painted** – For each application, the customer must check the durability of the paint before use, as depending on the composition of the medium, temp. etc. the color can be detached. In case of uncertainties, we recommend the use of oil viewing glasses with reflector not painted "colorless" (brass colored)

Group B
Aluminium oil sight glass
Screwed in position from the front



Model: 3507....

With fixed **aluminium** reflector not painted, operating pressure 4 bar, heat resistant up to 120 °C, with **float glass**, in accordance with DIN 31691

Model: 3517....

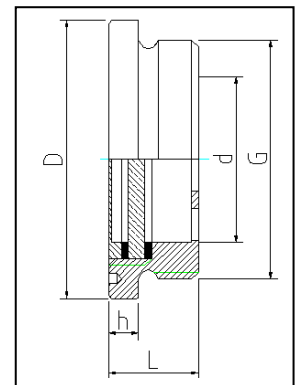
Without reflector, operating pressure 4 bar, heat resistant up to 120 °C, with **float glass**, in accordance with DIN 31691

Composition N° Model: Model + Thread-Size

Example: 3507....+...2215 = 35072215 – Aluminium, M 22x1,5, Float glass to 120°C, with fixed reflector not painted or 3517....+...0012 = 35170012 – Aluminium, G 1/2", Float glass to 120°C, without reflector

Metrical ISO-Thread DIN 13 (from M 16x1,5 to M 27x1,5)							
Thread (G)	M 16x1,5	M 18x1,5	M 20x1,5	M 22x1,5	M 24x1,5	M 26x1,5	M 27x1,5
N° article (part 2) (Thread-Size)	...1615	...1815	...2015	...2215	...2415	...2615	...2715
Whitworth Thread (BSP) DIN ISO 228 (DIN 259) (from G 3/8" to G 3/4")							
Thread (G)	G 3/8"		G 1/2"				G 3/4"
N° article (part 2) (Thread-Size)	...0038		...0012				...0034
Dimension							
Ø - Outside (D)	22 mm	22 mm	26 mm	26 mm	30 mm	32 mm	32 mm
Ø - Inside (d)	9 mm	9 mm	12 mm	12 mm	15 mm	17 mm	17 mm
Length (L)	12 mm	12 mm	12 mm	12 mm	12 mm	12 mm	12 mm
Collar height (h)	4 mm	4 mm	4 mm	4 mm	4 mm	4 mm	4 mm

Metrical ISO-Thread DIN 13 (from M 30x1,5 to M 60x2,0)							
Thread (G)	M 30x1,5	M 33x1,5	M 35x1,5	M 36x1,5	M 42x1,5	M 48x1,5	M 60x2,0
N° article (part 2) (Thread-Size)	...3015	...3305	...3515	...3615	...4215	...4815	...6020
Whitworth Thread (BSP) DIN ISO 228 (DIN 259) (from G 1" to G 2")							
Thread (G)		G 1"			G 1 1/4"	G 1 1/2"	G 2"
N° article (part 2) (Thread-Size)		...0100			...0114	...0112	...0200
Dimension							
Ø - Outside (D)	36 mm	38 mm	42 mm	42 mm	48 mm	55 mm	70 mm
Ø - Inside (d)	20 mm	22 mm	25 mm	25 mm	28 mm	33 mm	43 mm
Length (L)	13 mm	13,5 mm	13,5 mm	13,5 mm	14,5 mm	16 mm	16,5 mm
Collar height (h)	4,5 mm	4,5 mm	4,5 mm	4,5 mm	4,5 mm	5 mm	5 mm



Other thread size, special seals (e.g. Viton) and special glasses, with reflector painted white or types with width across flat on request.

Group BS
Aluminium oil sight glass
hexagon, flanged



Model: 5507....

Hexagon with fixed **aluminium** reflector not painted, operating pressure 4 bar, heat resistant up to 120°C, with **float glass**

Model: 5517....

Hexagon without reflector, operating pressure 4 bar, heat resistant up to 120°C, with **float glass**

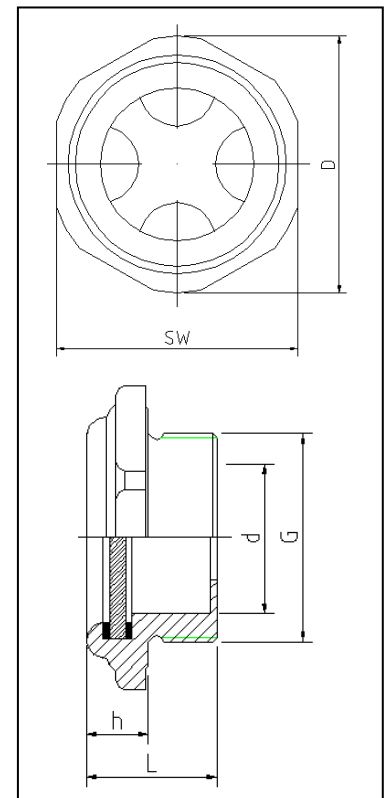
Composition N° Model: Model + Thread-Size

Example: 5507...+...1815 = 55071815 – Aluminium, M 22x1,5, Float glass to 120°C, with fixed reflector not painted
 or 5517...+...0034 = 55170034 – Aluminium, G 3/4", Float glass to 120°C, without reflector

Metrical ISO-Thread DIN 13 (from M 16x1,5 to M 24x1,5)						
Thread (G)		M 16x1,5	M 18x1,5	M 20x1,5	M 22x1,5	M 24x1,5
N° article (part 2) (Thread-Size)		...1615	...1815	...2015	...2215	...2415
Whitworth Thread (BSP) DIN ISO 228 (DIN 259) (from G 1/4" to G 1/2")						
Thread (G)	G 1/4" *	G 3/8"		G 1/2"		
N° article (part 2) (Thread-Size)	...0014	...0038		...0012		
Dimension						
Ø - Outside (D)	19 mm	24 mm	24 mm	30 mm	30 mm	33 mm
Width across flats (SW)	SW 17	SW 22	SW 22	SW 27	SW 27	SW 30
Ø - Inside (d)	8,5 mm	12 mm	9 mm	15 mm	15 mm	18 mm
Length (L)	(15 mm)	(14 mm)	(14 mm)	(17 mm)	(17 mm)	(18 mm)
Collar height (h)	(7 mm)	(6 mm)	(6 mm)	(8 mm)	(8 mm)	(8 mm)

* G 1/4" only without reflector (N° article: 55170014)

Metrical ISO-Thread DIN 13 (from M 26x1,5 to M 33x1,5)						
Thread (G)	M 26x1,5	M 27x1,5	M 33x1,5			
N° article (part 2) (Thread-Size)	...2615	...2715	...3315			
Whitworth Thread (BSP) DIN ISO 228 (DIN 259) (from G 3/4" to G 1")						
Thread (G)		G 3/4"	G 1"			
N° article (part 2) (Thread-Size)		...0034	...0100			
Dimension						
Ø - Outside (D)	35 mm	35 mm	45 mm			
Width across flats (SW)	SW 32	SW 32	SW 41			
Ø - Inside (d)	21 mm	21 mm	25 mm			
Length (L)	(18 mm)	(18 mm)	(20 mm)			
Collar height (h)	(7 mm)	(8 mm)	(9 mm)			



Other thread size, special seals (e.g. Viton) and special glasses or with reflector white painted on request.

Group VA
Stainless steel oil sight glasses
Screwed in position from the front



Model: 3508 and 3509....

3508.... 1.4571 (X6CrNiMoTi 17-12-2 , AISI 316 Ti , V4A or similar)

3509.... 1.4301 (X5CrNi18-10 , AISI 304 , V2A or similar)

Stainless steel with drilled reflector not painted, operating pressure 4 bar, heat resistant up to 120°C, with **float glass**

Model: 3608 and 3609....

3608.... 1.4571 (X6CrNiMoTi 17-12-2 , AISI 316 Ti , V4A or similar)

3609.... 1.4301 (X5CrNi18-10 , AISI 304 , V2A, or similar)

Stainless steel with drilled reflector not painted, operating pressure 3 bar (oilproof), heat resistant up to 300°C, with **glass from Borofloat 33** (formerly Tempax)

Model: 3518, 3618 and 3519, 3619....

see **3508, 3608 and 3509, 3609**, however without reflector

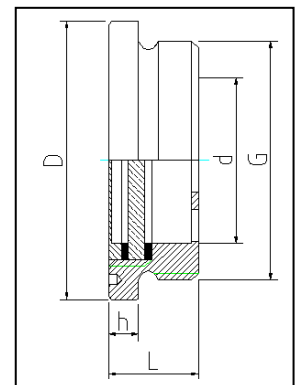
Composition N° Model: Model + Thread-Size

Example: 3509...+...0200 = 35090200 – AISI 304, G 2", Float glass to 120°C, with fixed reflector not painted

or 3618...+...6020 = 36186020 – AISI 316, M 60x2, Tempax glass to 280°C, without reflector

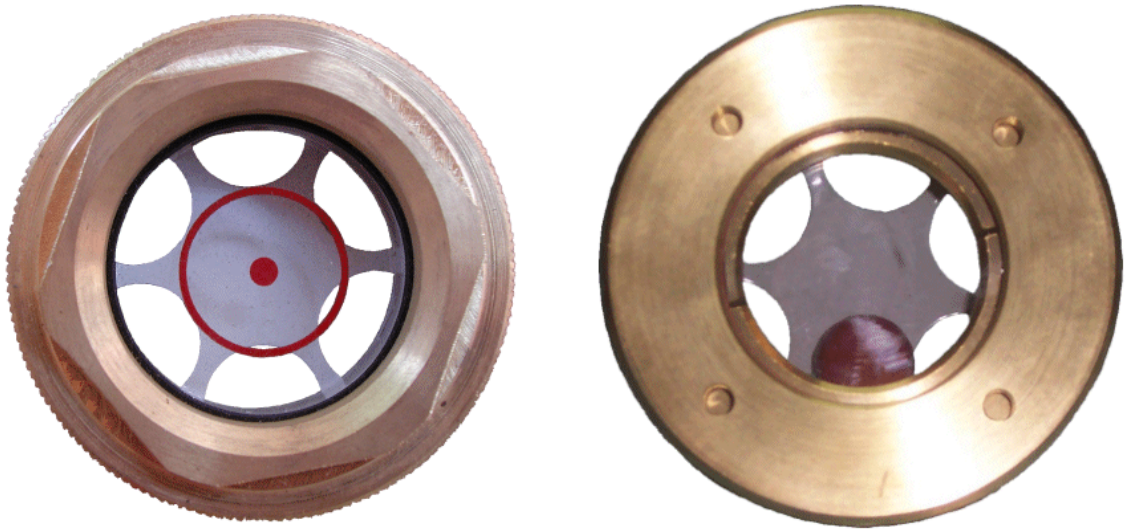
Metrical ISO-Thread DIN 13 (from M 16x1,5 to M 27x1,5)							
Thread (G)	M 16x1,5	M 18x1,5	M 20x1,5	M 22x1,5	M 24x1,5	M 26x1,5	M 27x1,5
N° article (part 2) (Thread-Size)	...1615	...1815	...2015	...2215	...2415	...2615	...2715
Whitworth Thread (BSP) DIN ISO 228 (DIN 259) (from G 3/8" to G 3/4")							
Thread (G)	G 3/8"		G 1/2"				G 3/4"
N° article (part 2) (Thread-Size)	...0038		...0012				...0034
Dimensions							
Ø - Outside (D)	22 mm	22 mm	26 mm	26 mm	30 mm	32 mm	32 mm
Ø - Inside (d)	9 mm	9 mm	12 mm	12 mm	15 mm	17 mm	17 mm
Length (L)	12 mm	12 mm	12 mm	12 mm	12 mm	12 mm	12 mm
Collar height (h)	4 mm	4 mm	4 mm	4 mm	4 mm	4 mm	4 mm

Metrical ISO-Thread DIN 13 (from M 30x1,5 to M 60x2,0)							
Thread (G)	M 30x1,5	M 33x1,5	M 35x1,5	M 36x1,5	M 42x1,5	M 48x1,5	M 60x2,0
N° article (part 2) (Thread-Size)	...3015	...3305	...3515	...3615	...4215	...4815	...6020
Whitworth Thread (BSP) DIN ISO 228 (DIN 259) (from G 1" to G 2")							
Thread (G)		G 1"			G 1 1/4"	G 1 1/2"	G 2"
N° article (part 2) (Thread-Size)		...0100			...0114	...0112	...0200
Dimensions							
Ø - Outside (D)	36 mm	38 mm	42 mm	42 mm	48 mm	55 mm	70 mm
Ø - Inside (d)	20 mm	22 mm	25 mm	25 mm	28 mm	33 mm	43 mm
Length (L)	13 mm	13,5 mm	13,5 mm	13,5 mm	14,5 mm	16 mm	16,5 mm
Collar height (h)	4,5 mm	4,5 mm	4,5 mm	4,5 mm	4,5 mm	5 mm	5 mm



Other thread size, special seals (e.g. Viton, PTFE) and special glasses or with reflector white painted on request.

Group E
Oil sight glass fittings, special types and in accordance with drawing



Of course, we also produce oil sight fittings to drawings or samples.

Our modern, well-equipped production facilities enable us at any time to produce complete subassemblies at very competitive prices.

Please do not hesitate to contact us - we would be delighted to be able to present our most cost-effective proposals.